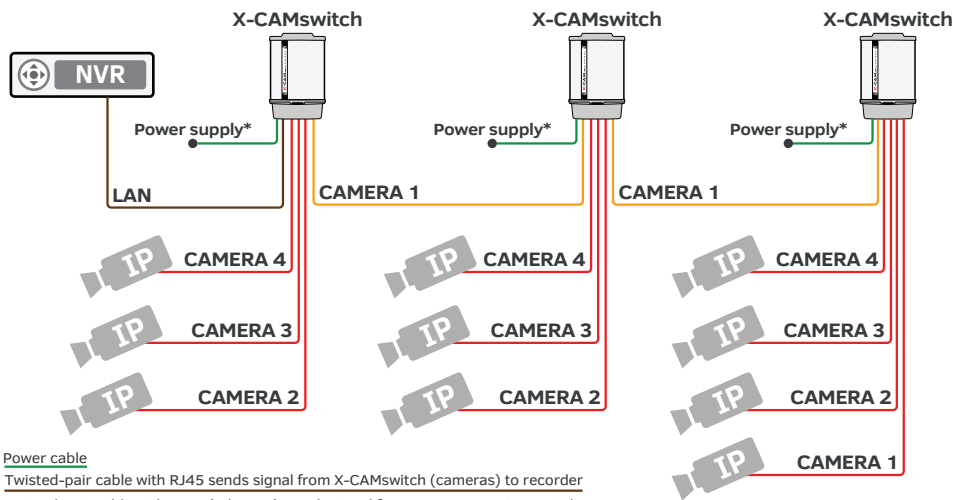


Application Example 2

3 units of X-CAMswitch send the signal from the 10 IP cameras.



Power cable

Twisted-pair cable with RJ45 sends signal from X-CAMswitch (cameras) to recorder

Twisted-pair cable with RJ45 (Ethernet), sends signal from camera to X-CAMswitch

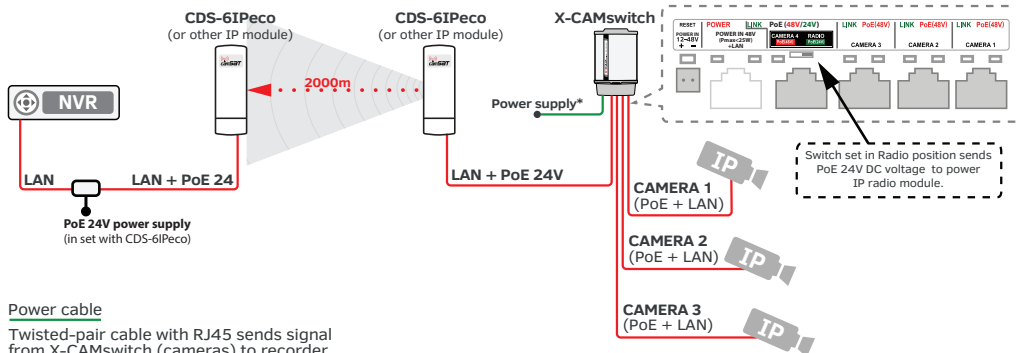
Twisted-pair cable with RJ45 (Ethernet), connecting X-CAMswitch (with no cables connected 4 - blue, 5 - white-blue, 7 - white-brown, 8 - brown)

* Depending on version:

- 12V - 48V DC in X-CAMswitch/12
- 48V DC in X-CAMswitch/48

Application Example 3

X-CAMswitch powers the wireless CDS-6IPeco (Tx) and supplies by the PoE and transmits the signal from 3 IP cameras. CDS-6IPeco (Tx) sends a radio signal to the receiver CDS-6IPeco (Rx). To power the whole system you need only one power supply from 12 to 48V DC.



Power cable

Twisted-pair cable with RJ45 sends signal from X-CAMswitch (cameras) to recorder

* Depending on version:

- 12V - 48V DC in X-CAMswitch/12
- 48V DC in X-CAMswitch/48



X-CAMswitch

QUICK START

Ver. 1.0

External hermetic network PoE switch for IP cameras powered by 12-48V DC or PoE

1. Specifications

X-CAMswitch is a 4-port, external PoE switch working in LAN 10/100 Base-T. It allows you to connect to the LAN, and power 4 IP PoE cameras. Each PoE port is protected independently by automatic fuse. X-CAMswitch / 12 has a power input 12-48V AC / DC, which allows you to connect a standard 12V DC or AC adapter from the PTZ camera 24V AC.

Product Specification	
Ethernet Ports 10/100 Mbps	3 x LAN PoE OUT (48V) – IP cameras 1 x LAN PoE OUT (48V/24V) – IP camera or radio module 1xLAN PoE IN (48V) – power input from PoE recorder or PoE power supply
Maximum power consumption of cameras	4 x 15,4W (with power supply 24V-48V) 4 x 8W (with power supply 12V)
Input voltage supply	• X-CAMswitch/12 - 12-48 V AC/DC or 48 V PoE • X-CAMswitch/48 - 48 V DC or 48 V PoE
PoE power type	Passive PoE (+4,5 48V) (-7,8 GND) pin
PoE cable length	< 100 m
Protection	Automatic fuses on each PoE port
Degree of protection	IP 65
Temperatura pracy	-20° C ÷ 55° C
Size	140x180x60 mm (W x H x D)

2. Includes

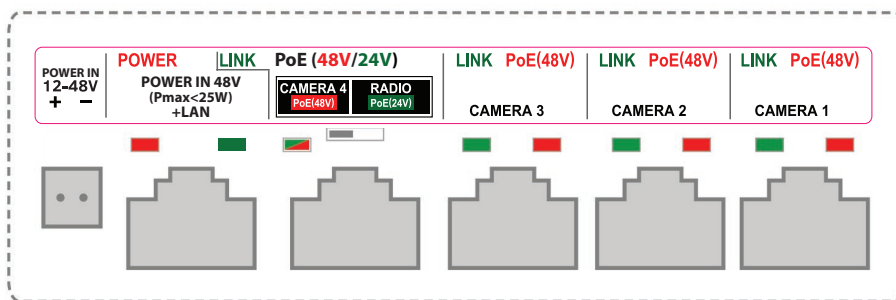
- PoE network switch X-CAMswitch x 1 pc.
- Clamps x 2 pcs.
- Manual x 1 pc.
- Declaration of conformity x 1 pc.

Depending on the version of the device, the X-CAMswitch has the following power inputs:

X-CAMswitch/12 - can be powered from 12V-48V DC or AC adapter for the PTZ camera 24V AC
(Note: with the 12V power supply maximum power of the cameras is 4x8W).

X-CAMswitch/48 - can be powered from an AC adapter 48V DC or 48V PoE
(Maximum power of cameras 4x15,4W).

3. Description of the connectors and LEDs



DESCRIPTION OF CONNECTORS AND LED INDICATORS

POWER IN 12-48V - input DC or AC (the red **POWER** LED indicates the appearance of voltage on the connector)

POWER IN 48V - power supply input used only to power the device with another switch or PoE power supply (the red **POWER** LED indicates the appearance of voltage on the connector)

CAMERA 4/LAN - LAN port to power IP camera (PoE 48V) or device configuration. PoE voltage on output is controlled by above switch (the value of voltage is shown by red-green LED **PoE ON/PoE OFF**; blinking **LINK** diode shows data transfer status)

CAMERA 3 - LAN port to power the IP camera (**PoE 48V**) ((the red **POWER** LED indicates the appearance of voltage on the connector; blinking **LINK** diode shows data transfer status)

CAMERA 2 - LAN port to power the IP camera (**PoE 48V**) ((the red **POWER** LED indicates the appearance of voltage on the connector; blinking **LINK** diode shows data transfer status)

CAMERA 1 - LAN port to power the IP camera (**PoE 48V**) (the red **POWER** LED indicates the appearance of voltage on the connector; blinking **LINK** diode shows data transfer status)

4. Preparing for operation

X-CAMSwitch device can be connected to the power supply in two ways

Option 1 - directly from the power supply 12-48V.

Option 2 - X-CAMSwitch powered from adapter PoE48V.

WARNING

The device should not be installed in direct sunlight.

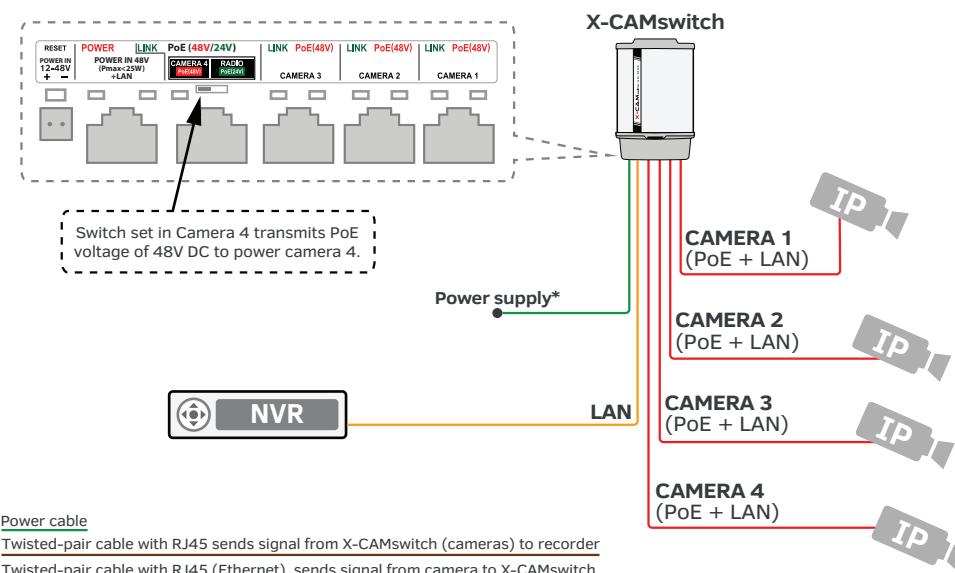
5. Connect the radio module with PoE24V

WARNING

Before connecting the radio to the port CAMERA 4 / RADIO switch voltage PoE 48V to PoE 24V (use switch located next to the switch. Voltage of 48V may causedamage incompatible device!

Application Example 1

X-CAM switch sends signal from 4 IP cameras to NVR. Additionally it is a power supply 4 IP PoE 48V cameras.



Power cable

Twisted-pair cable with RJ45 sends signal from X-CAMswitch (cameras) to recorder

Twisted-pair cable with RJ45 (Ethernet), sends signal from camera to X-CAMswitch

Twisted-pair cable with RJ45 (Ethernet), connecting X-CAMswitch (with no cables connected 4 - blue, 5 - white-blue, 7 - white-brown, 8 - brown)

* Depending on version:

12V - 48V DC in X-CAMswitch/12

48V DC in X-CAMswitch/48