

## CAM 5816h Multi-Rx

8-channel RF 5.8 GHz wireless audio/video multi receiver

*Nr rejestrowy GIOŚ E0012219W*

Designed for wireless PAL or NTSC video signal receiving from 4 transmitters CAM5816h-Tx or CAM5816h Muti-Tx over the radio-link on ISM 5.8 GHz band. Supports up to 8 channels within 5725 to 5875 MHz frequency band. Each of 8 channels has factory defined operating frequency. It has 4 Video BNC outputs and 8 Audio Outputs.

### Contents of CAM5816hMulti-Rx package:

- Video/Audio Receiver with integrated directional antenna.
- Mounting bracket x 2 pcs.
- User`s Manual

### Specification:

Operating frequency	5,725 ÷ 5,875 GHz
Output power	<14dBm(25mW)
Modulation	FM
Output	VIDEO - 75 Ω / AUDIO - 600 Ω
Antenna Input	SMA (F) 50 Ω
Power supply	9 ÷ 14V / 800mA DC
Operating temperature	-20 °C ÷ + 55 °C
Dimensions	245x165x100 mm
Weight	1,4 kg

### Assembly:

Mount the device using U-bolts to stable mast or bracket. Place the antenna in direction of transmitters. Gently screw the antenna cable into SMA antenna socket. When screwing the outer rigid wire antenna pay attention not to damage the SMA socket on the receiver. Connect power to the receiver with a constant voltage of 12V DC and efficiency of at least 800mA. Connect the signal cables to the BNC video/audio and power supply as described. Set the channel number and connect the power supply to the first transmitter. Set the same channel number on the receiver, set or adjust the antenna and accurately validate the transfer. If the transmission is correct start next transmitter in the same way.

Operating channel Settings							
1 5,733	ON 1 2 3 4	2 5,752	ON 1 2 3 4	3 5,771	ON 1 2 3 4	4 5,790	ON 1 2 3 4
5 5,809	ON 1 2 3 4	6 5,828	ON 1 2 3 4	7 5,847	ON 1 2 3 4	8 5,866	ON 1 2 3 4

**Connectors:**

- GND – audio signal minus
- GND – power minus
- A-L - Audio left channel
- A-R - Audio right channel
- +12V - power plus; 9-14V, minimum 800mA

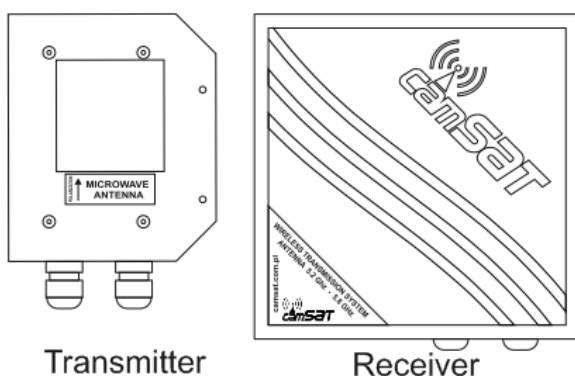
**Recommendations:**

- When mounting several transmitters in one monitoring system, be sure to start them in sequence. After a precise set of antennas, connecting power supply to the first transmitter and obtaining the proper transmission connect power to next transmitter. It is not recommended to connect power to all devices simultaneously.
- For transmission over short distances (50 to 500m), it is recommended to use larger spacing between operating channels such as 1-2-6-8 or 1-3-7-8.
- Recommended power supply: stabilized 12V 800mA transformer
- It is forbidden to connect the receiver and transmitter to one common power supply adaptor, which may result in improper video transfer . One common power supply adaptor is acceptable for several transmitters and multiple receivers.

**NOTE:**

Receiver`s antenna must be in “line of sight” with transmitter`s antenna. The receiver should be mounted high enough, at least 4 meters above the highest obstacle over the radio transmission path. Antenna`s polarization and number of channel should be same in two cooperating devices. Each CAM5816 transmitter has a potentiometer to adjust the video signal level - that allows proper fit to connected signal sources. The frequency of each video output can be set by DIP switch according to the table.

**Transmitting/receiving antenna view:**



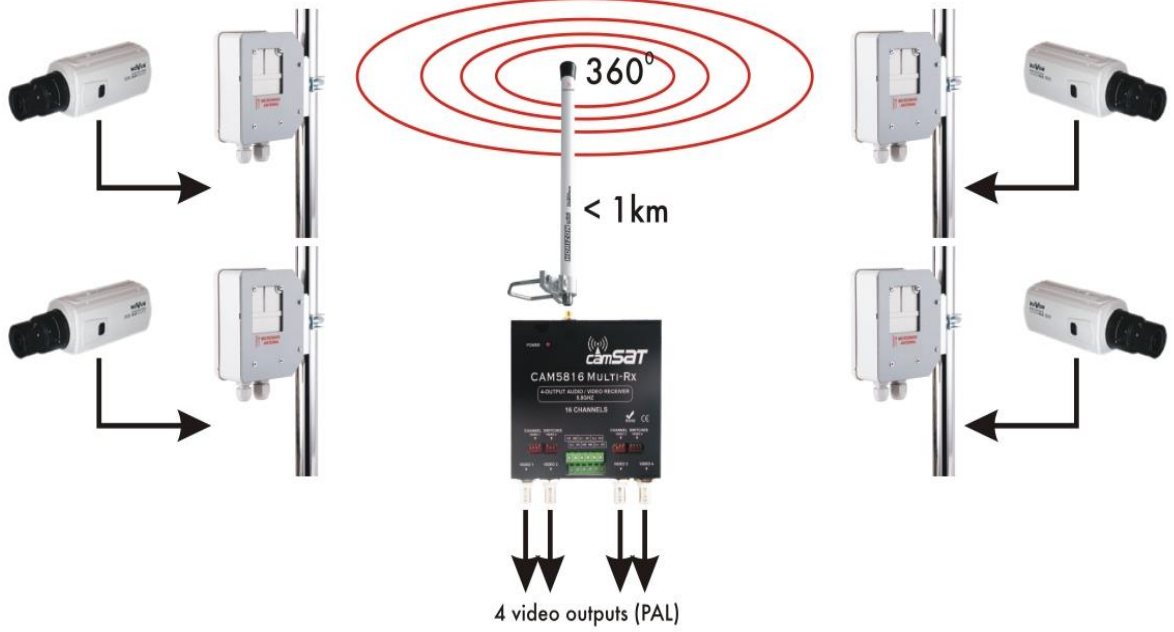
**Manufacturer:**  
 CAMSAT Gralak Przemysław  
 Ul. Ogrodowa 2a  
 86-050 Solec Kujawski  
*Offer and information:* [www.camsat.com](http://www.camsat.com)  
*Service:* [serwis@camsat.com.pl](mailto:serwis@camsat.com.pl)



Transmitters  
CAM5816h-Tx

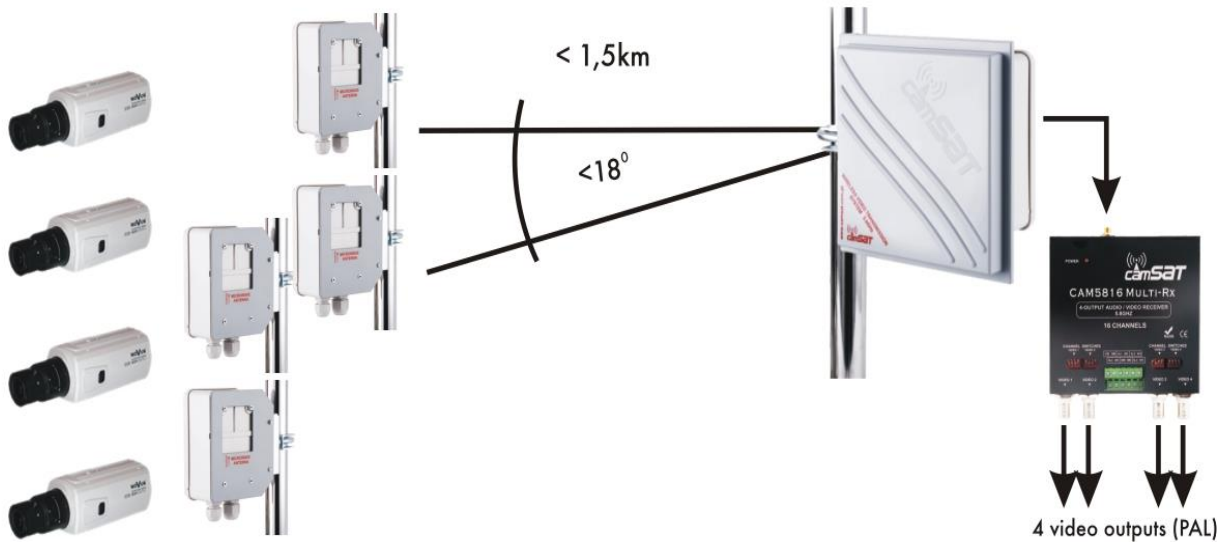
**CAM5816 Multi - Rx**  
with omnidirectional antenna ProEter5 12dbi

Transmitters  
CAM5816h-Tx



4 Transmitters  
CAM5816h-Tx

**CAM5816 Multi - Rx**  
with directional antenna AK19 - 19dbi





# DEKLARACJA ZGODNOŚCI

DECLARATION OF CONFORMITY

Niżej podpisany, reprezentujący firmę:

*The undersigned, representing the manufacturer:*

**CAMSAT Przemysław Gralak**  
ul. Ogrodowa 2a 86-050 Solec Kujawski  
Polska

niniejszym deklaruję z pełną odpowiedzialnością, że urządzenie:

*herewith declares under our sole responsibility that the product:*

Nazwa urządzenia: **Bezprzewodowy System Transmisji Video na pasmo ISM 5,8GHz**

*Product name:*

*Wireless Video and Audio Transmission System of 5.8 GHz*

Typ:

*Model:*

**CAM5816h Multi-Rx**

jest dopuszczone do pracy na terenie EU i jest zgodne z zasadniczymi wymaganiami oraz innymi stosownymi postanowieniami dyrektywy 1999/5/WE :

*is allowed to work in EU and it is in conformity with the provisions of the following 1999/5/EC directives:*

<b>Wymagania zasadnicze:</b> - artykuł dyrektywy 1999/5/WE <i>Essentials requirements</i> - article of Directive 1999/5/EC	<b>Zastosowane normy</b> <i>Applied Standards</i>	<b>Oceniane dokumenty</b> <i>Evidence Documentation</i>	<b>Ocena</b> <i>Result</i>
Kompatybilność Elektromagnetyczna – art.3.1b <i>Electromagnetic compatibility</i>	ETSI EN 301 489-1 V1.6.1 ETSI EN 301 489-3 V1.4.1	Sprawozdanie z badań: <i>Test Report:</i> IŁ Nr 01500200/2	Zgodność <i>Conformity</i>
Efektywne wykorzystanie Zasobów częstotliwości – art.3.2 <i>Effectively RF spectrum use</i>	ETSI EN 300 440-1 V1.4.1 ETSI EN 300 440-2 V1.2.1	Sprawozdanie z badań: <i>Test Report:</i> IŁ Nr 01500200/1	Zgodność <i>Conformity</i>

Zakres przestrajania częstotliwości nadajnika i odbiornika:

5725 MHz – 5875 MHz

*Transmitter and receiver frequency alignment range:*

Moc promieniowana nadajnika:

≤25,0 mW (14 dBm)

*Equivalent isotropically radiated power:*

**Jednostka notyfikowana biorąca udział w ocenie zgodności:**

INSTYTUT ŁĄCZNOŚCI  
ul. Szachowa 1, 04-894 Warszawa  
Numer jednostki notyfikowanej: 1471  
*Notified Body number: 1471*



Wydane przez Instytut Łączności potwierdzenie zgodności nr 007/2011 oraz sprawozdania z badań dostępne są do wglądu w siedzibie firmy CAMSAT Gralak Przemysław.

Osoba odpowiedzialna: **Przemysław Gralak**

*Name of responsible person*

Stanowisko:

**właściciel/owner**

*Position:*

Podpis/Signature

Miejscowość i data:

Solec Kujawski 23.08.2010r

## **General terms and conditions of a warranty**

**Camsat company gives a warranty of 24 months for transmission sets of the following series:**

TCO 5807, CAM 5816, CDS 5021, CD04, CD06, CDS-5IP

1. In case of detecting incorrect work of a device, before giving the device to the service, it is necessary to make sure that everything was done in accordance with the instruction manual.
2. In case of giving or sending the faulty device to be repaired, it is indispensable to enclose a detailed description in the written form including faulty action of the device with taking into consideration work environment and the way in which they can be seen.
3. One can use the warranty if he shows the proof of purchase (a receipt) with the claimed device including the purchase date and a description of the damage.
4. The warranty repair includes only damages resulting from causes included in the sold device.
5. The warranty repair will be made in the shortest time possible not exceeding 14 days counting from the date of accepting the device to be repaired in the service. In case of a necessity to import parts, the repair date can be exceeded. After making the repair, the warranty period is exceeded by the time of repair.
6. The guarantor is not responsible for losing configuration settings of the device resulting from the repair of the device or its damage.
7. The guarantor can refuse making the warranty repair or completely renounce from the warranty in case of stating that seals on the devices or subsystems included in it are broken.
8. All remarks concerning the service and resulting from the warranty are made only in the service of the Camsat company.